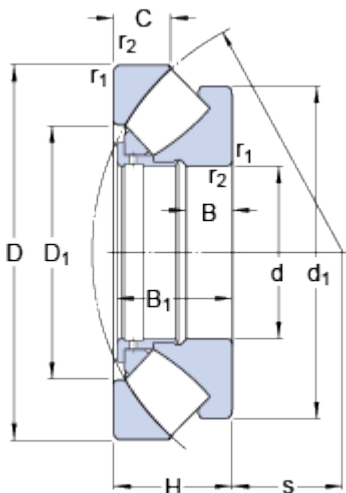


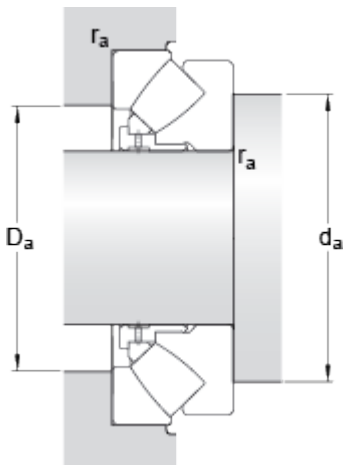
293/800

Dimensions



d	800	mm
D	1180	mm
H	230	mm
d ₁	≈ 1099	mm
D ₁	≈ 958	mm
B	78	mm
B ₁	222	mm
C	117	mm
s	440	mm
r _{1,2}	min. 9.5	mm

Abutment dimensions



d _a	min. 985	mm
D _a	max. 1060	mm
r _a	max. 8	mm

Calculation data

Basic dynamic load rating	C	11300	kN
Basic static load rating	C ₀	55000	kN
Fatigue load limit	P _u	3900	kN
Reference speed		240	r/min
Limiting speed		450	r/min
Minimum axial load factor	A	290	

Mass

Mass bearing		810	kg
--------------	--	-----	----